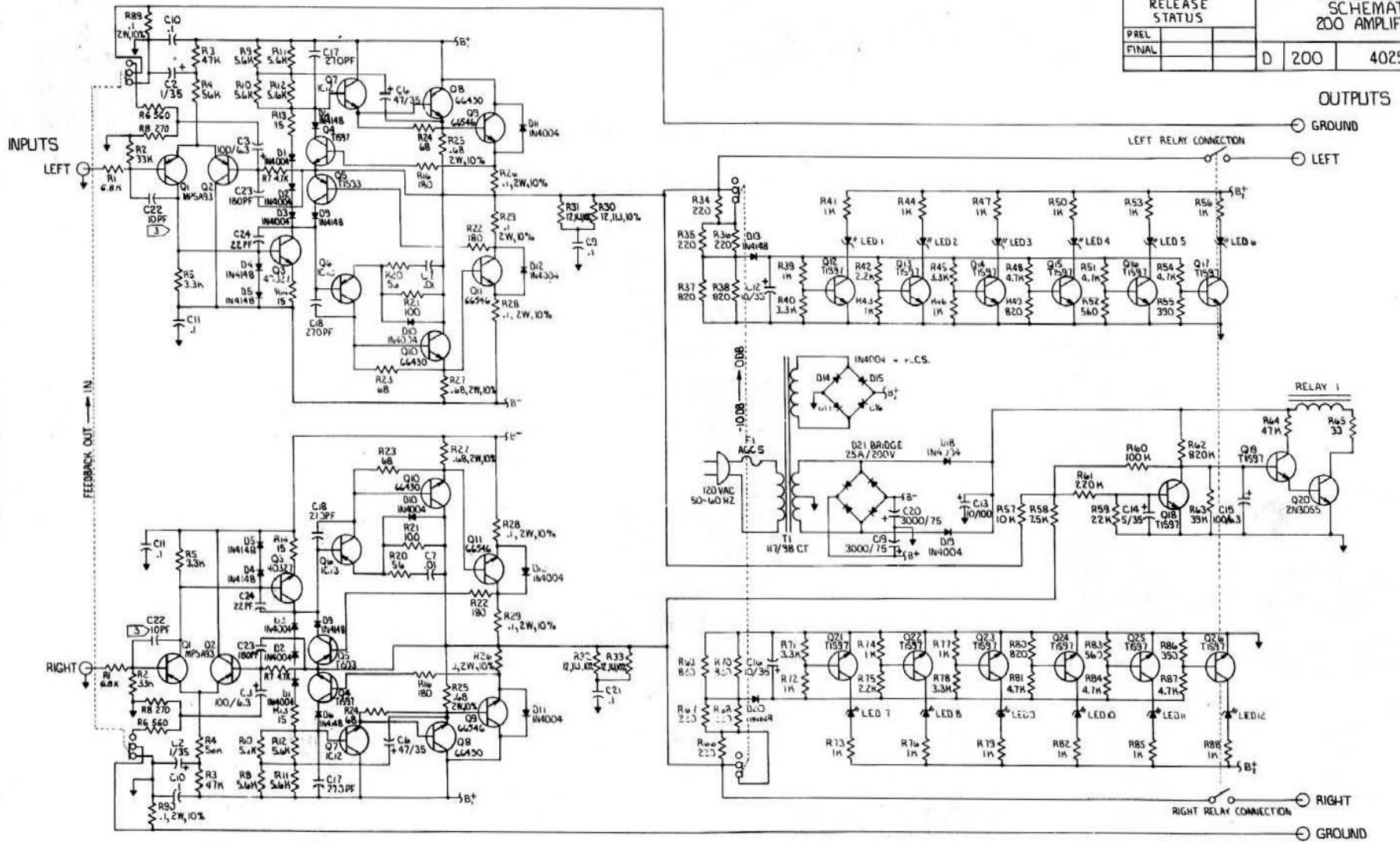


DRAWN	PICKENS	9-18-75	PHASE LINEAR	
CHKD			FINAL ASSY & SCHEMATIC	
APVD			STATUS	
PREL			D	200
FINAL			402570	H



NOTE:
 1. CAPACITORS IN μ F UNLESS OTHERWISE NOTED.
 2. RESISTORS IN OHM, $\frac{1}{2}$ W, $\pm 5\%$ TOLERANCE UNLESS OTHERWISE NOTED. K=K Ω , M=M Ω .
 3. SPECIAL INSTRUCTIONS: AS REQUIRED TO MEET SPEC'S REMOVE 10PF CAP. BEING SURE TO CHECK FOR INSTABILITY AT 20K AND 2.0 HZ.

DIAGRAM II-1